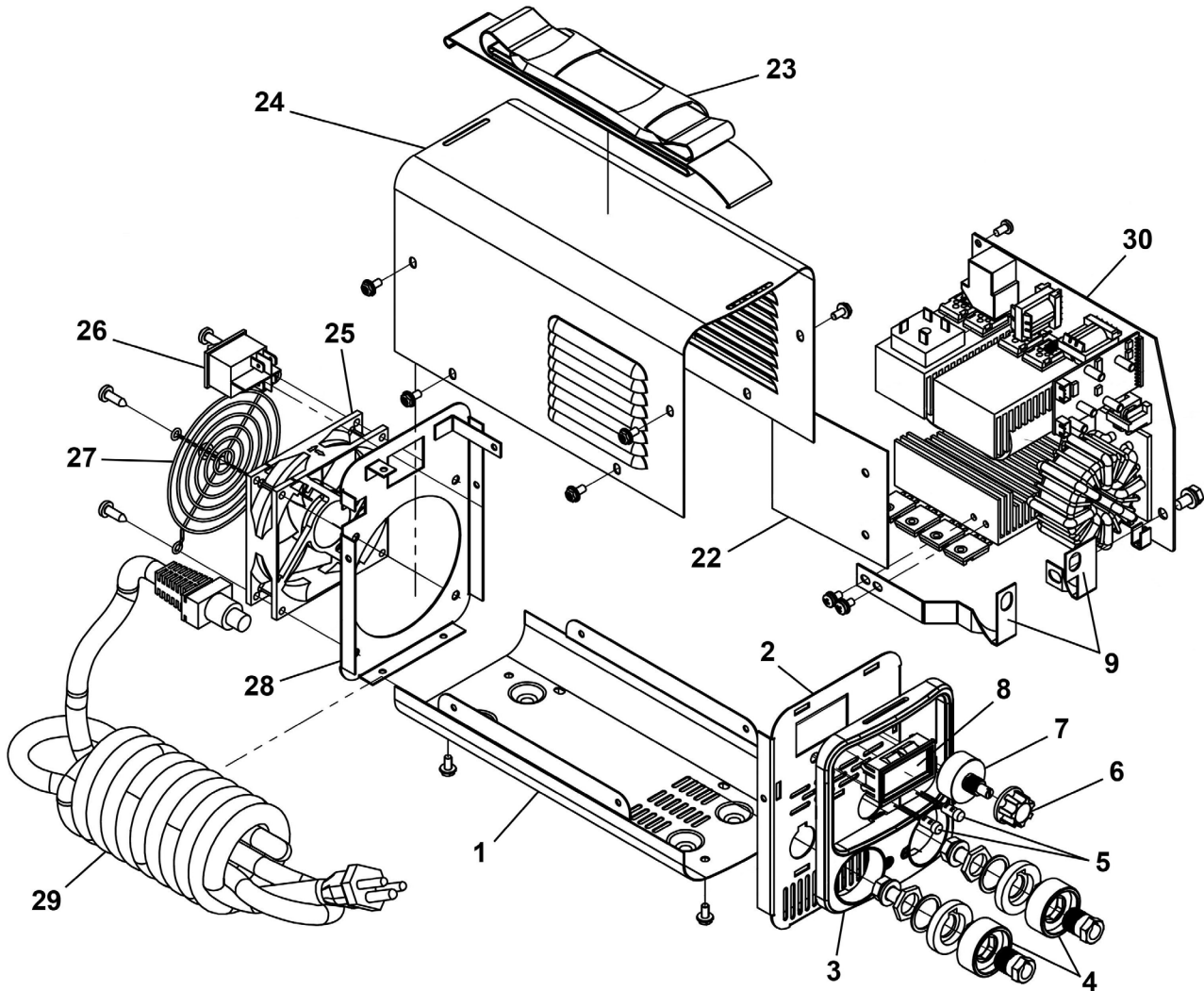




Parts Information:  
**MMA Inverter Welder 120A, 140A, 160A,  
 180A, 200A**  
**Model No: MINIMW120i,  
 MINIMW140i, MINIMW160i,  
 MINIMW180i, MINIMW200i**



Item	Part No.	Description
1	MINIMW160I-01	Bottom Panel
2	MINIMW160I-02	Front Panel
3	MINIMW160I-03	Plastic Frame
4	MINIMW160I-04	Quick EU Socket
5	MINIMW160I-05	Indicator Light (Green/Red)
6	MINIMW160I-06	Potentiometer Knob
7	MINIMW160I-07	Potentiometer
8	MINIMW160I-08	Digital Display

Item	Part No.	Description
22	MINIMW160I-22	Fan Guard
23	MINIMW160I-23	Belt
24	MINIMW160I-24	Top Cover
25	MINIMW160I-25	Fan
26	MINIMW160I-26	Power Switch 16A
27	MINIMW160I-27	Fan Cover
28	MINIMW160I-28	Rear Panel

**NOTE:** It is our policy to continually improve products and as such we reserve the right to alter data, specifications and component parts without prior notice. There may be alternative versions of this product, please contact us should you require this information.

**IMPORTANT:** No liability is accepted for incorrect use of product. Spare parts must be fitted by a competent person

**WARRANTY:** Guarantee is 12 months from purchase date, proof of which will be required for any claim.

Sealey Group, Kempson Way, Suffolk Business Park, Bury St Edmunds, Suffolk. IP32 7AR



01284 757500



sales@sealey.co.uk



www.sealey.co.uk



Parts Information:  
MMA Inverter Welder 120A, 140A, 160A,  
180A, 200A  
**Model No: MINIMW120i,  
MINIMW140i, MINIMW160i,  
MINIMW180i, MINIMW200i**

### MINIMW120i Only

Item	Part No.	Description
9	MINIMW120I-09	Output Connector
29	MINIMW120I-29	Power Cable
30	MINIMW120I-30	Complete PCB
--	MINIMW120I-31	1.6m 12mm <sup>2</sup> Cable with Electrode Holder (c/w 10-25 Dinse Connectors) (Not Shown)
--	MINIMW120I-32	1.4m 12mm <sup>2</sup> Earth Clamp and Cable (c/w 10-25 Dinse Connectors) (Not Shown)

### MINIMW140i Only

Item	Part No.	Description
9	MINIMW140I-09	Output Connector
29	MINIMW160I-29	Power Cable
30	MINIMW140I-30	Complete PCB
--	MINIMW160I-31	1.6m 16mm <sup>2</sup> Cable with Electrode Holder (c/w 10-25 Dinse Connectors) (Not Shown)
--	MINIMW160I-32	1.4m 16mm <sup>2</sup> Earth Clamp and Cable (c/w 10-25 Dinse Connectors) (Not Shown)

### MINIMW160i Only

Item	Part No.	Description
9	MINIMW160I-09	Output Connector
29	MINIMW160I-29	Power Cable
30	MINIMW160I-30	Complete PCB
--	MINIMW160I-31	1.6m 16mm <sup>2</sup> Cable with Electrode Holder (c/w 10-25 Dinse Connectors) (Not Shown)
--	MINIMW160I-32	1.4m 16mm <sup>2</sup> Earth Clamp and Cable (c/w 10-25 Dinse Connectors) (Not Shown)

### MINIMW180i Only

Item	Part No.	Description
9	MINIMW180I-09	Output Connector
29	MINIMW180I-29	Power Cable
30	MINIMW180I-30	Complete PCB
--	MINIMW200I-31	1.6m 25mm <sup>2</sup> Cable with Electrode Holder (c/w 10-25 Dinse Connectors) (Not Shown)
--	MINIMW200I-32	1.4m 25mm <sup>2</sup> Earth Clamp and Cable (c/w 10-25 Dinse Connectors) (Not Shown)

### MINIMW200i Only

Item	Part No.	Description
9	MINIMW200I-09	Output Connector
29	MINIMW200I-29	Power Cable
30	MINIMW200I-30	Complete PCB
--	MINIMW200I-31	1.6m 25mm <sup>2</sup> Cable with Electrode Holder (c/w 10-25 Dinse Connectors) (Not Shown)
--	MINIMW200I-32	1.4m 25mm <sup>2</sup> Earth Clamp and Cable (c/w 10-25 Dinse Connectors) (Not Shown)

**NOTE:** It is our policy to continually improve products and as such we reserve the right to alter data, specifications and component parts without prior notice. There may be alternative versions of this product, please contact us should you require this information.

**IMPORTANT:** No liability is accepted for incorrect use of product. Spare parts must be fitted by a competent person

**WARRANTY:** Guarantee is 12 months from purchase date, proof of which will be required for any claim.

Sealey Group, Kempson Way, Suffolk Business Park, Bury St Edmunds, Suffolk. IP32 7AR



01284 757500



sales@sealey.co.uk



www.sealey.co.uk